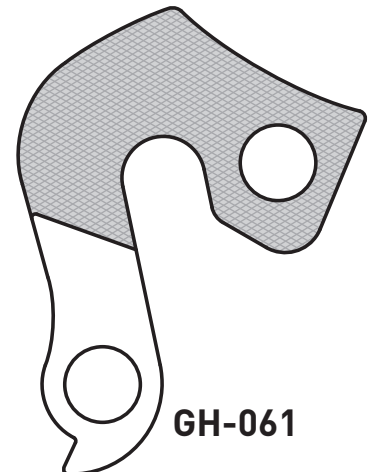
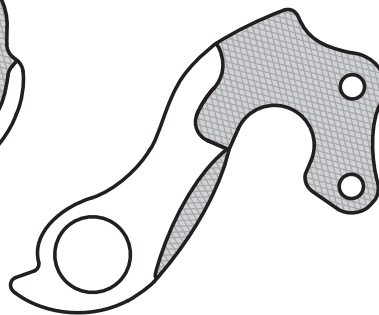
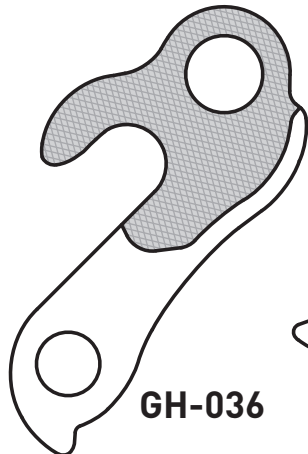
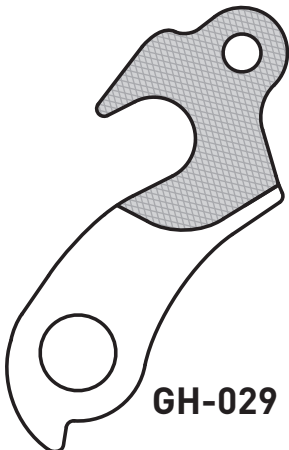
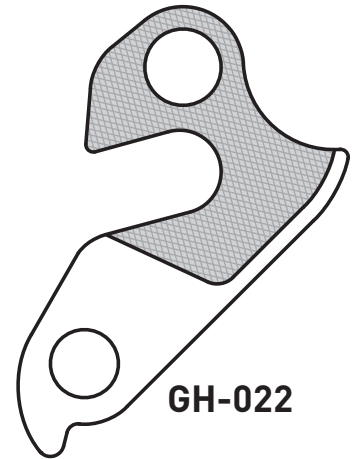
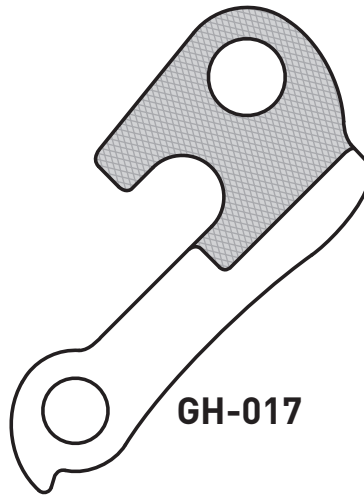
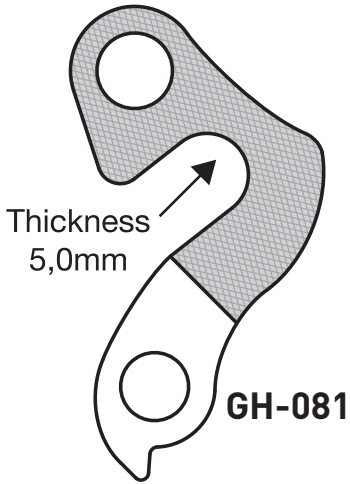
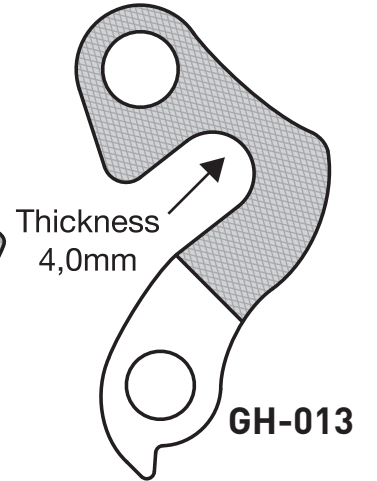
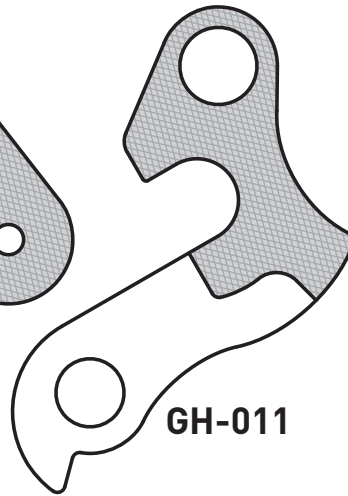
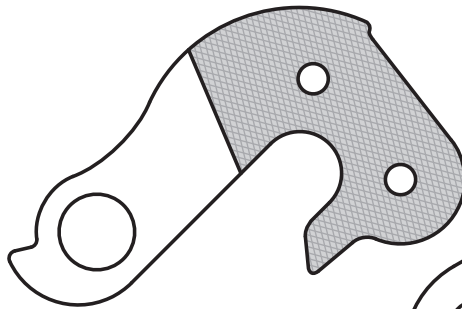
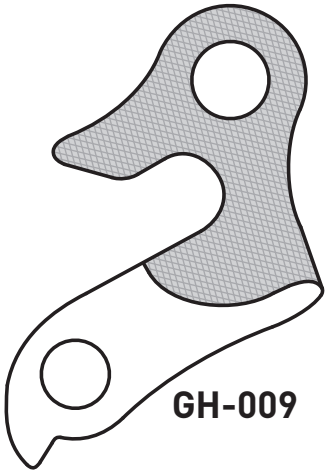
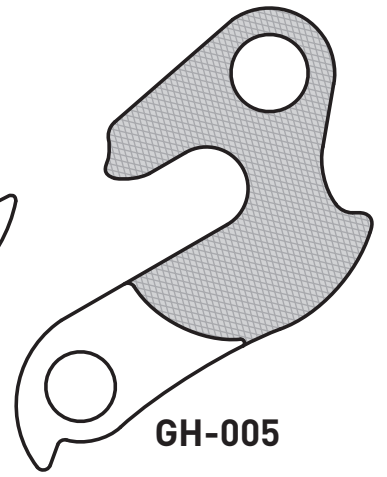
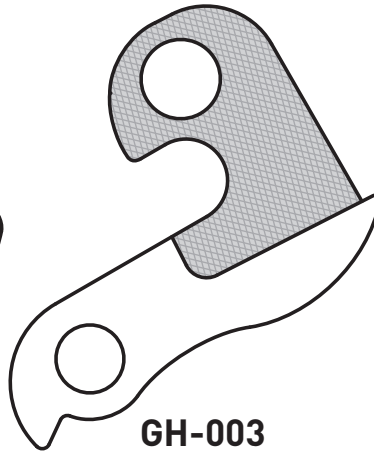
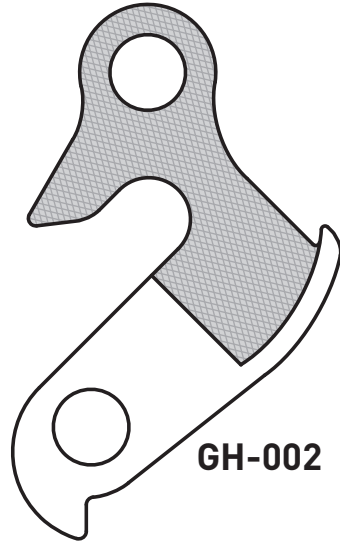
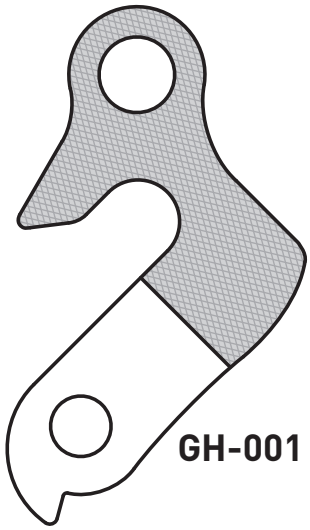
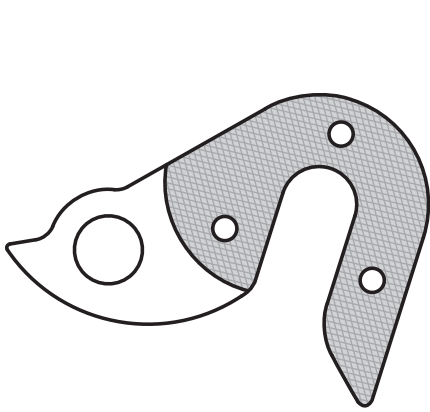


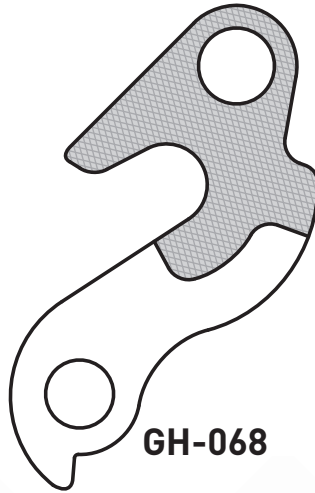
RALEIGH (1)



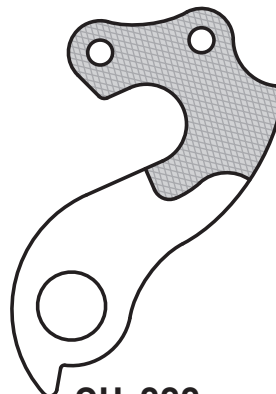
RALEIGH (2)



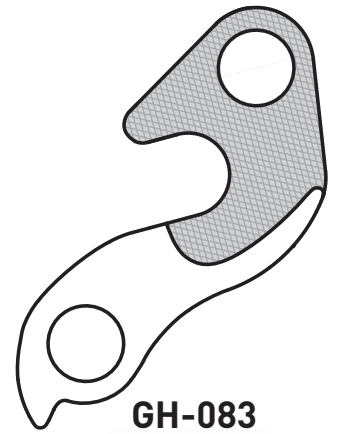
GH-062



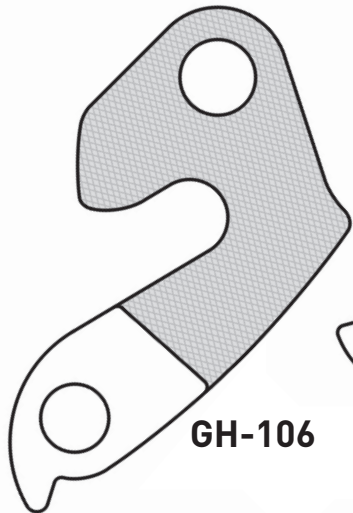
GH-068



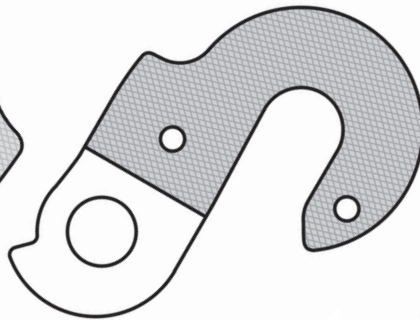
GH-080



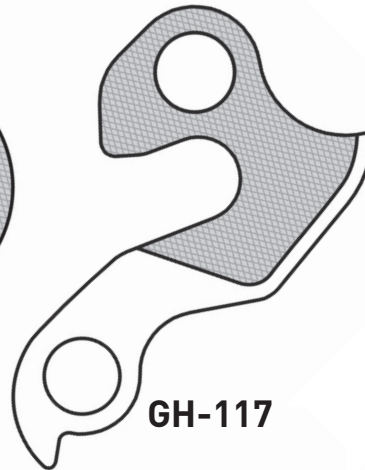
GH-083



GH-106



GH-114



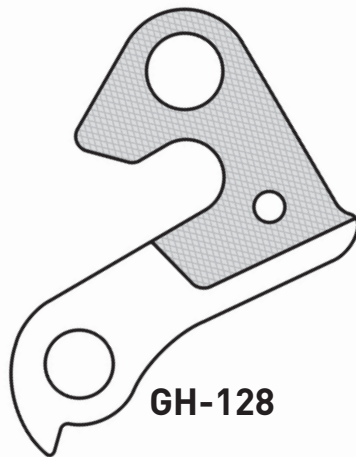
GH-117



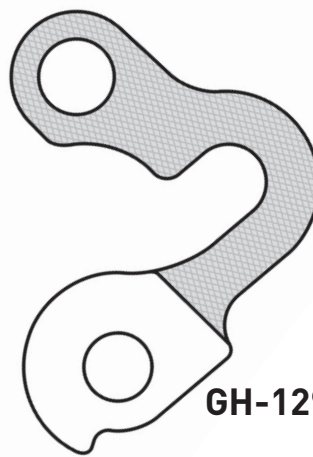
GH-124



GH-127



GH-128



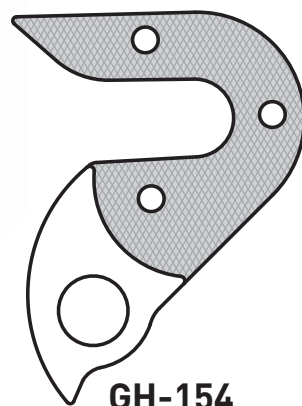
GH-129



GH-130



GH-133



GH-154

