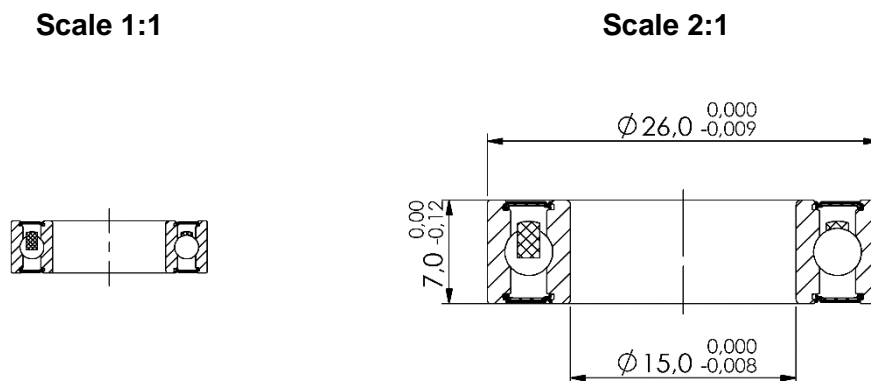


Marwi item: CB-344
Standard bearing number: MR15267 ceramic LLB
Dimension (mm): 15 x 26 x 7



Technical specifications:

Races:	CrMo
Balls:	Si ₃ N ₄ Silicon Nitride (HRC 75-89)
Retainer:	Nylon
Sealing:	Rubber LLB (non-contact)
Grease:	Multemp PS2 (Kyodo Yushi)
Tolerance:	ABEC-5
Quantity of balls:	11 pcs
Dimension of balls:	3,175mm (1/8")
Basic dynamic load rating:	1,549 kN
Basic static load rating:	0,931 kN

Applications:

Hub / wheel: Various brands