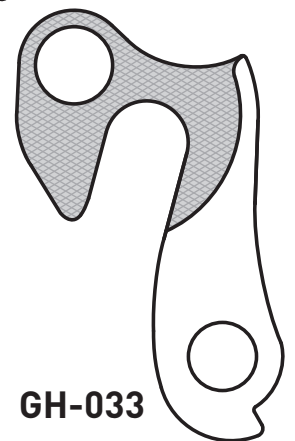
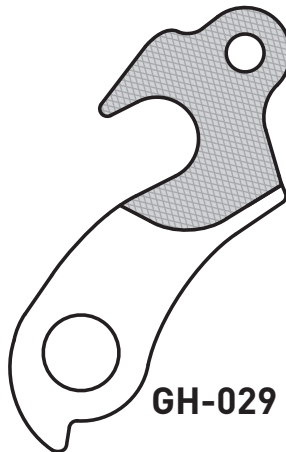
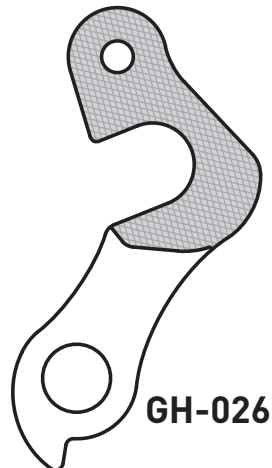
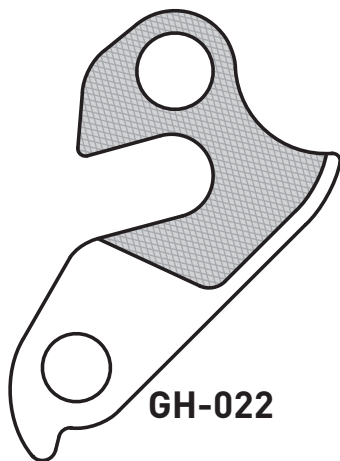
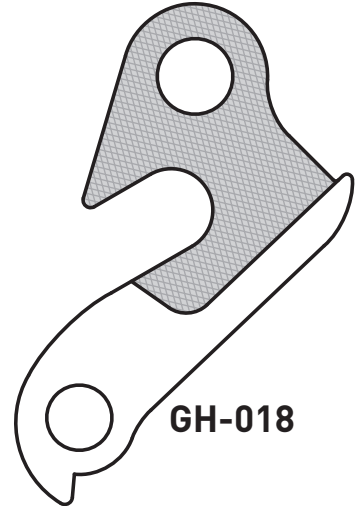
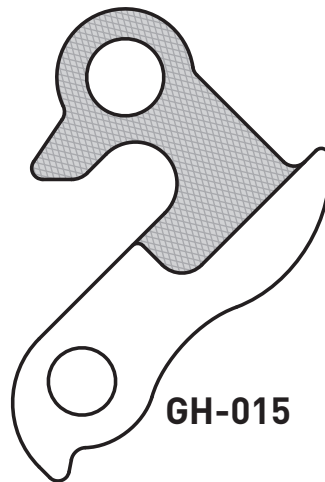
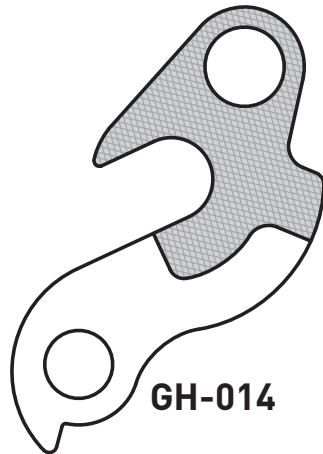
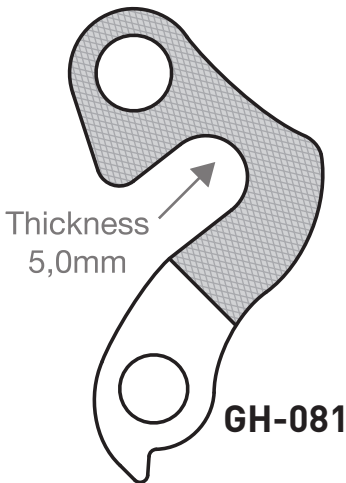
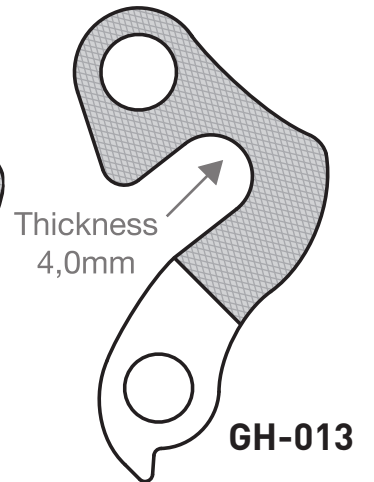
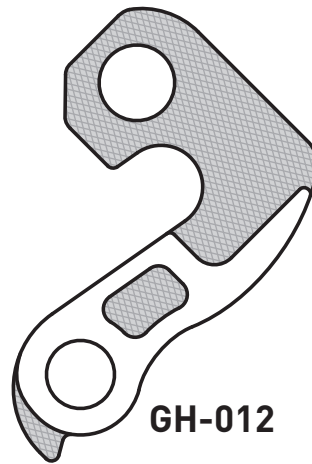
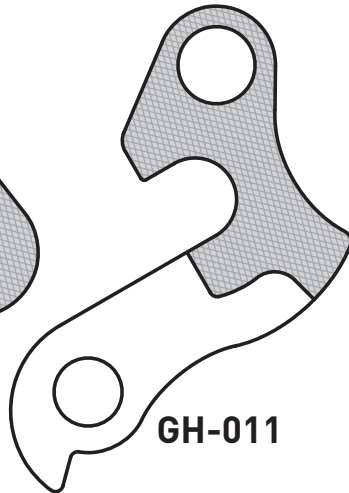
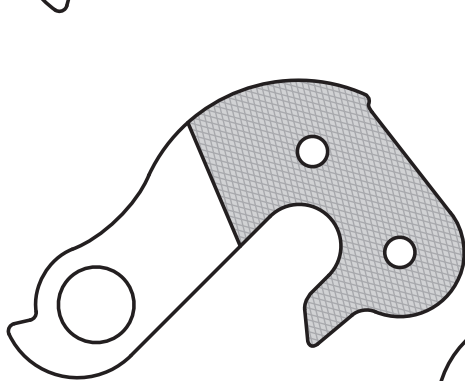
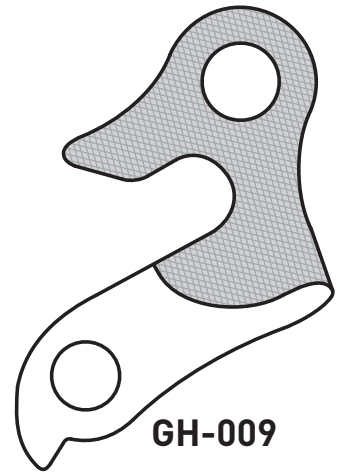
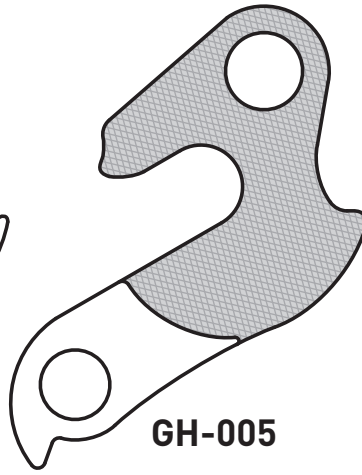
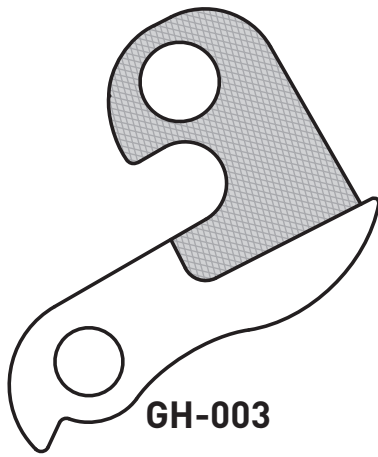
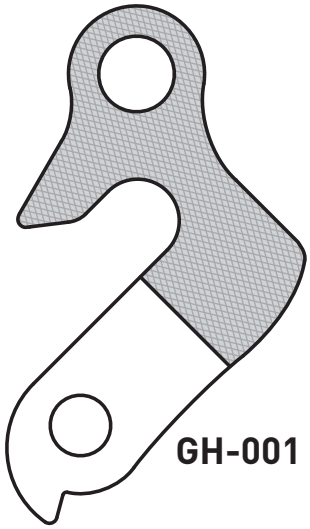


# STAIGER (1)



Print at actual size 100% (don't choose fit to page!). All drawings are scale 1:1

[www.marwi-eu.com/gh](http://www.marwi-eu.com/gh)



# STAIGER (2)

