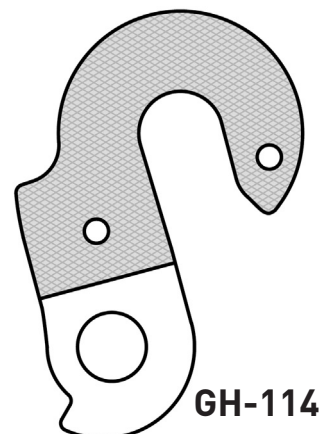
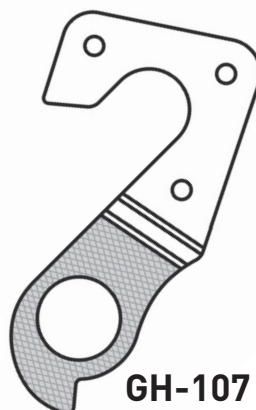
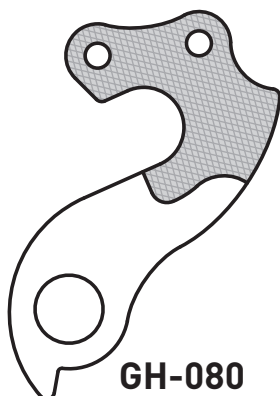
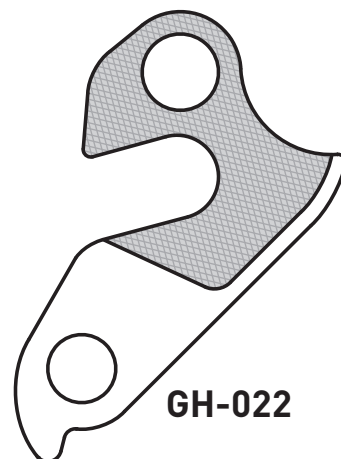
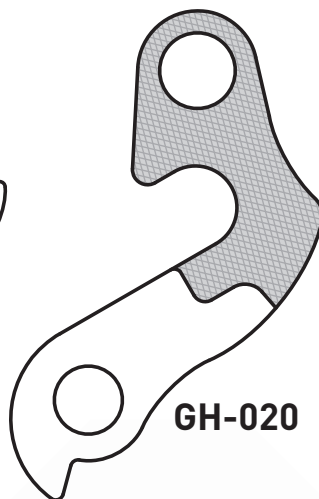
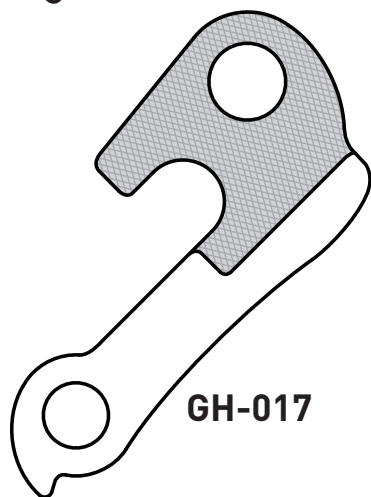
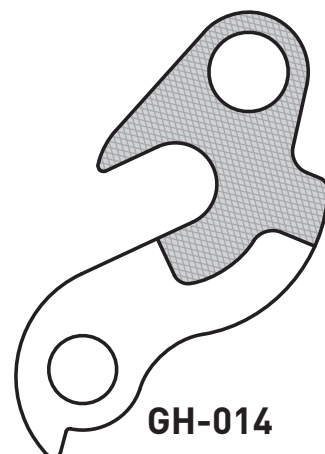
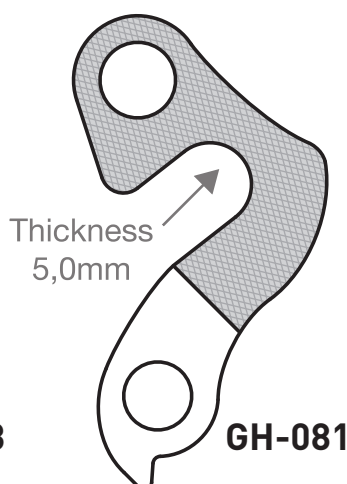
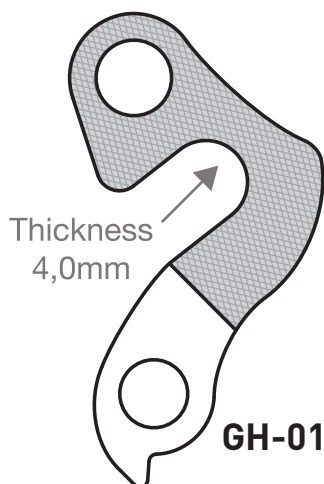
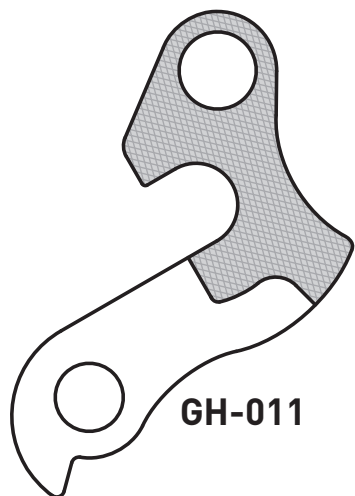
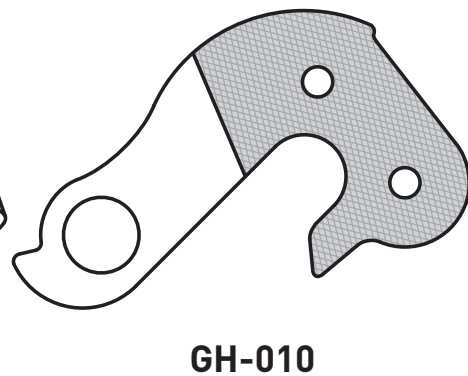
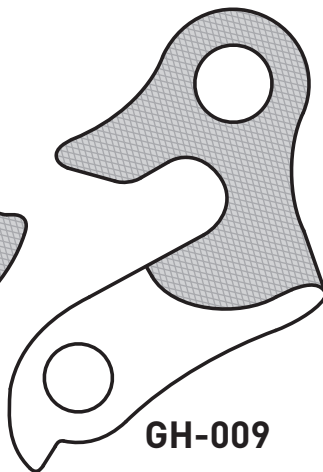
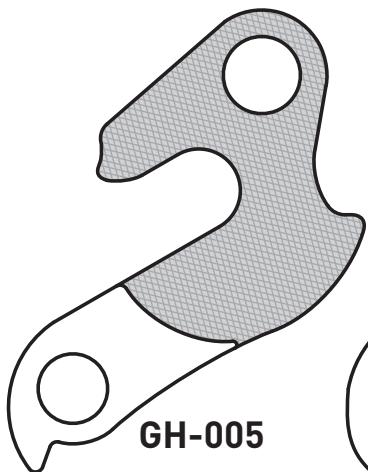
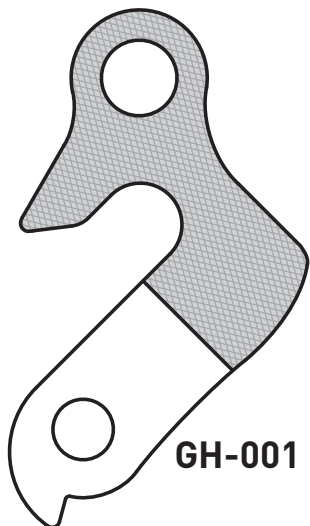
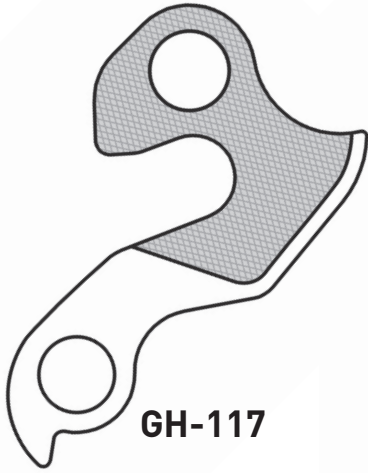


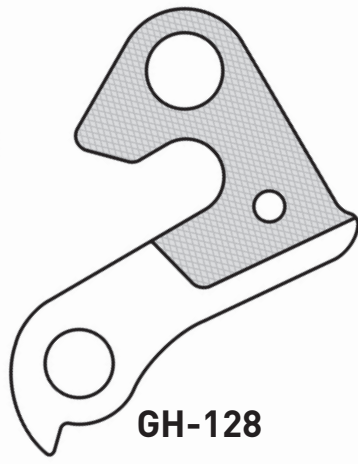
KHS (1)



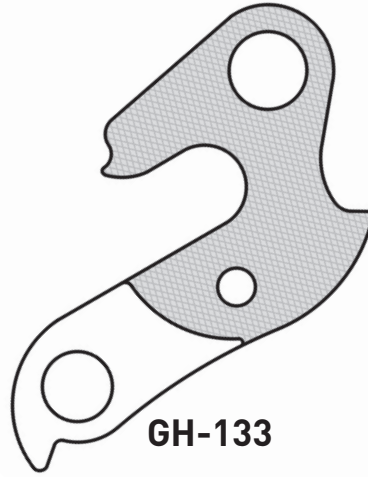
KHS (2)



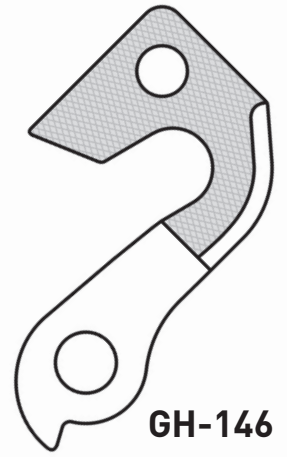
GH-117



GH-128



GH-133



GH-146