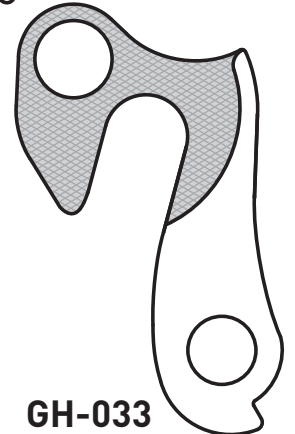
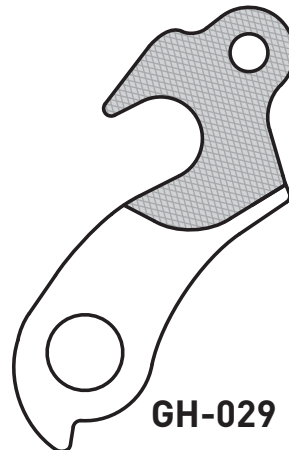
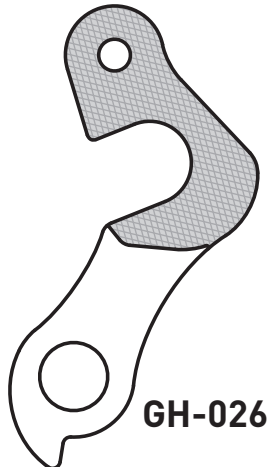
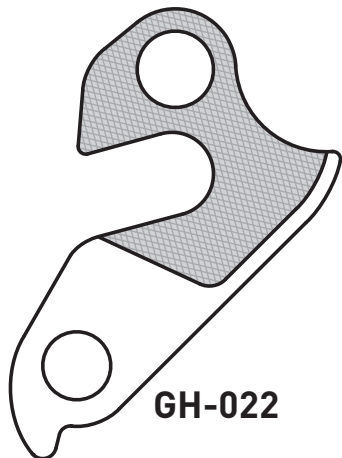
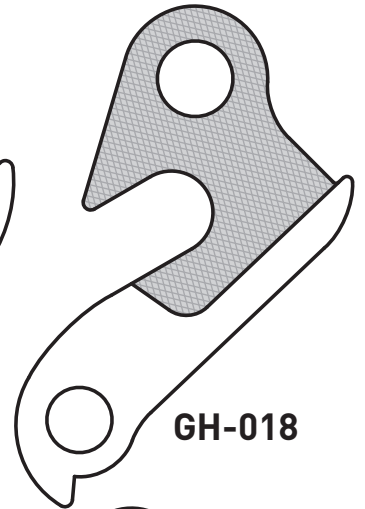
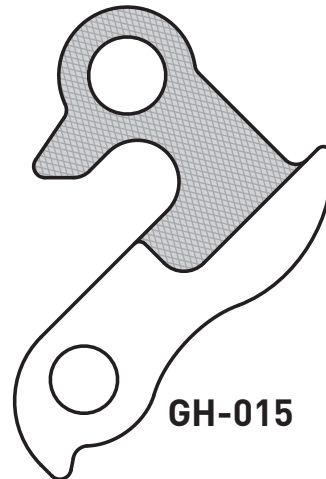
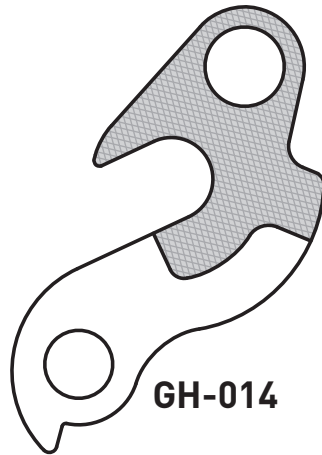
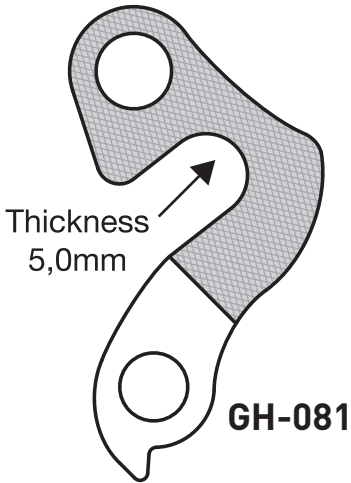
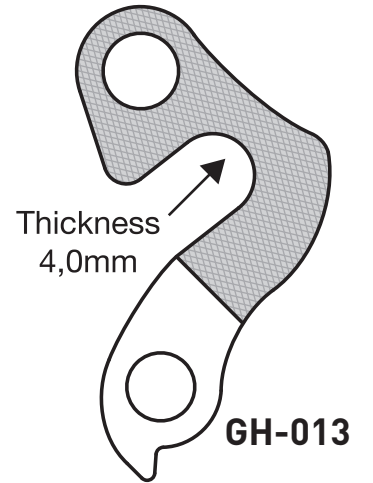
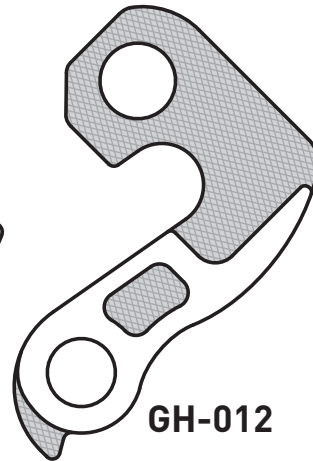
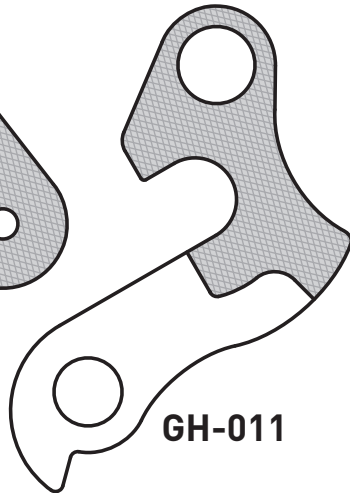
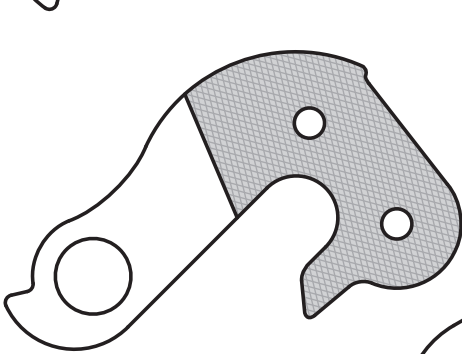
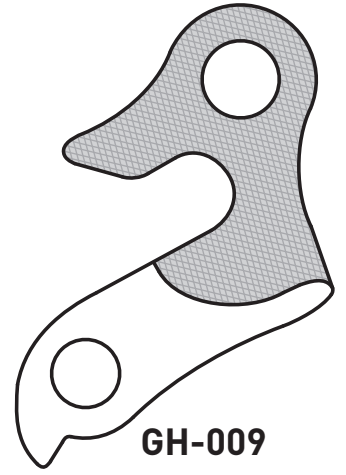
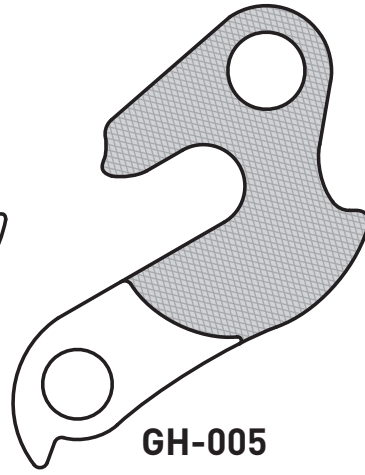
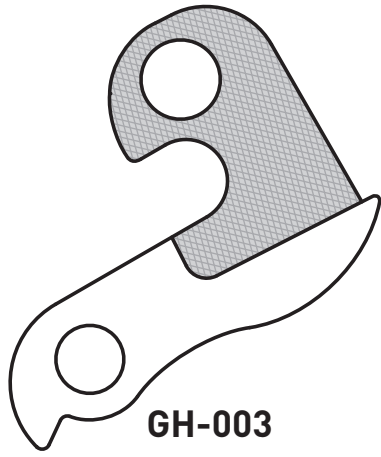
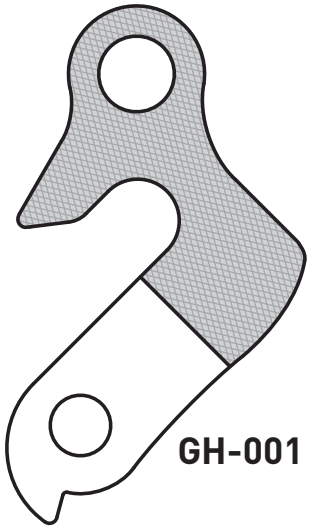


# WINORA (1)

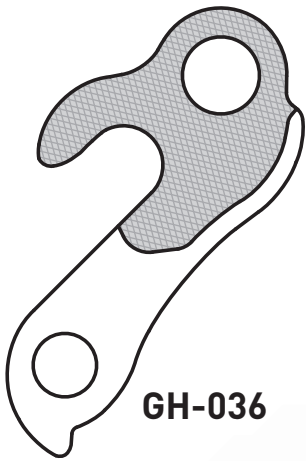


Print at actual size 100% (don't choose fit to page!). All drawings are scale 1:1

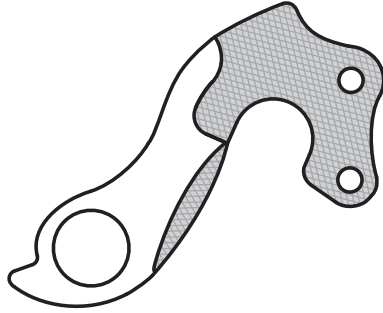
[www.marwi-eu.com/gh](http://www.marwi-eu.com/gh)



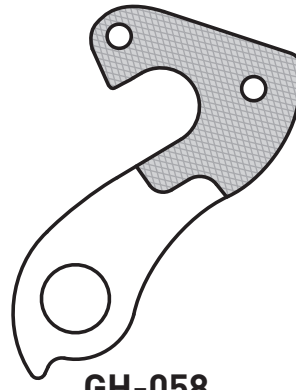
# WINORA (2)



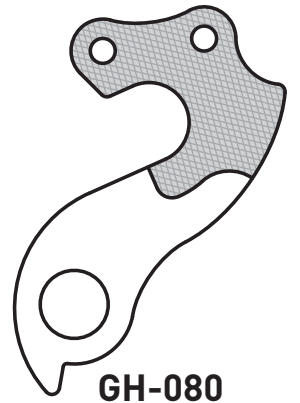
**GH-036**



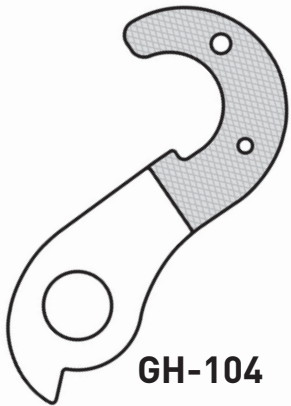
**GH-045**



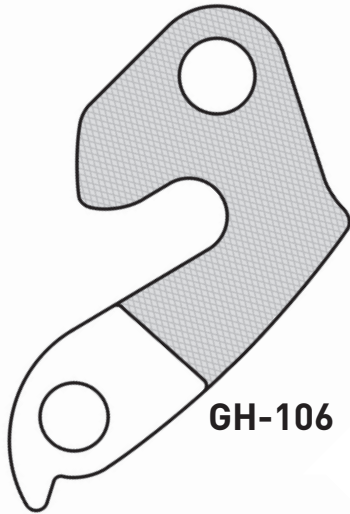
**GH-058**



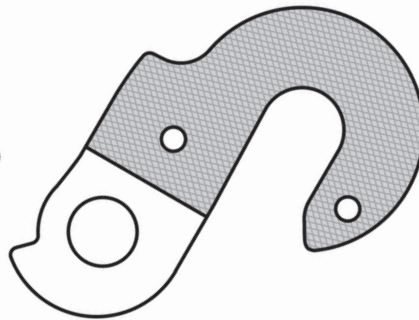
**GH-080**



**GH-104**



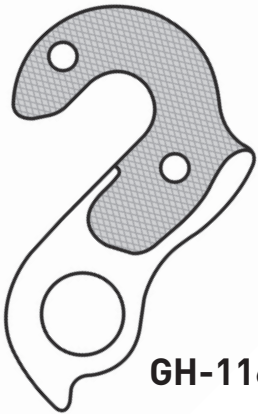
**GH-106**



**GH-114**



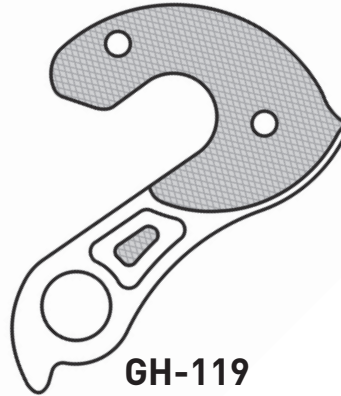
**GH-115**



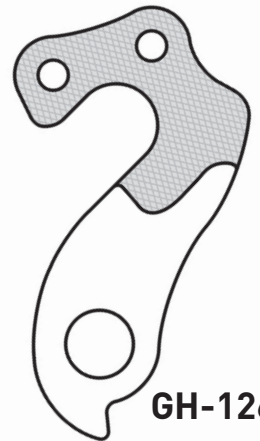
**GH-116**



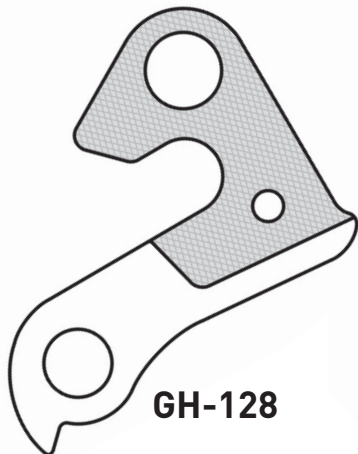
**GH-118**



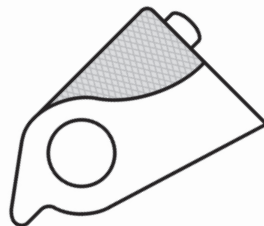
**GH-119**



**GH-126**



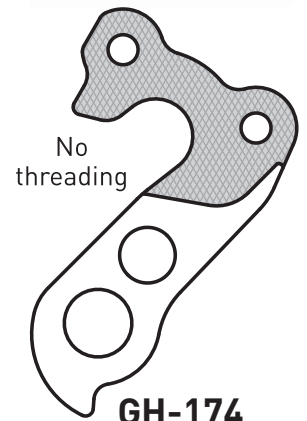
**GH-128**



**GH-131**



**GH-173**



**GH-174**

