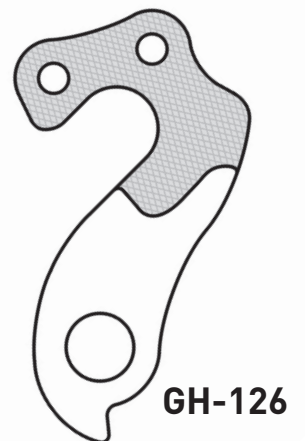
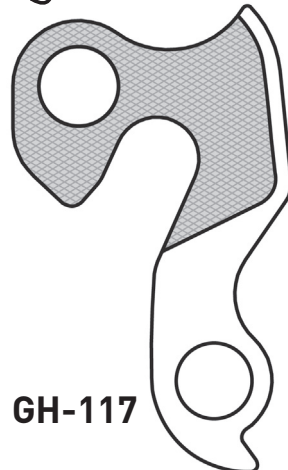
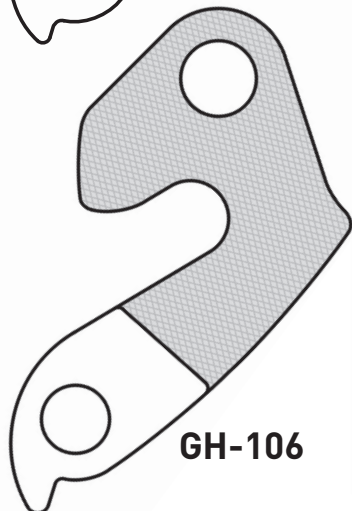
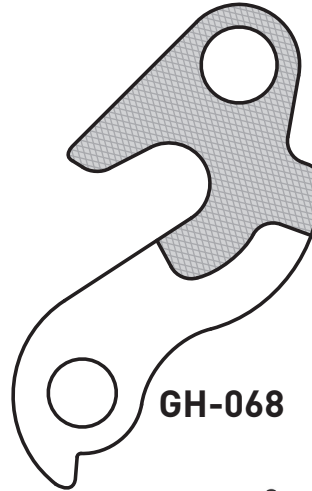
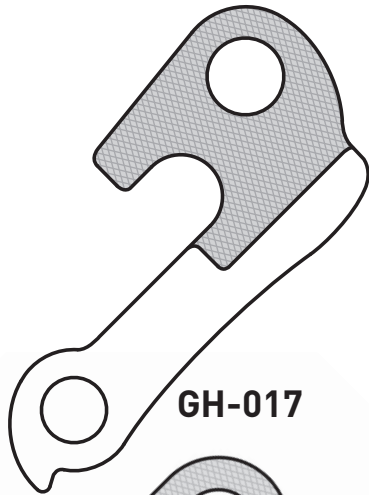
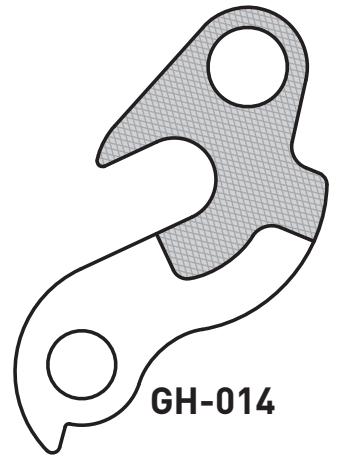
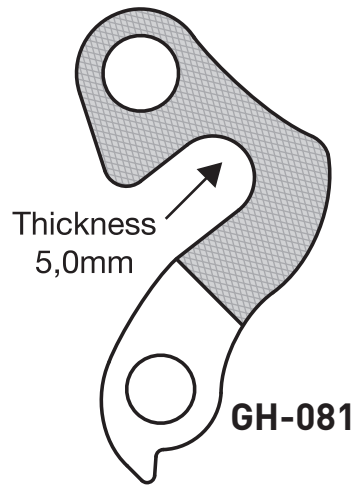
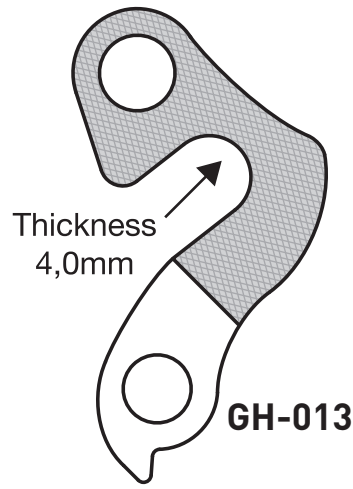
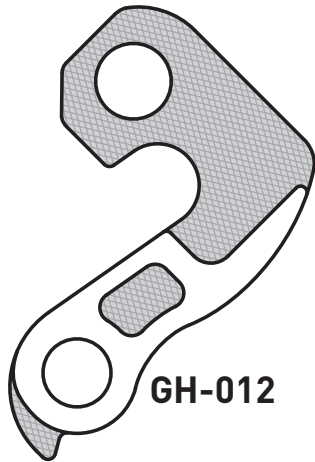
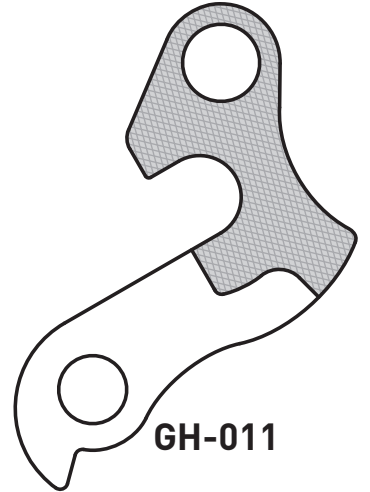
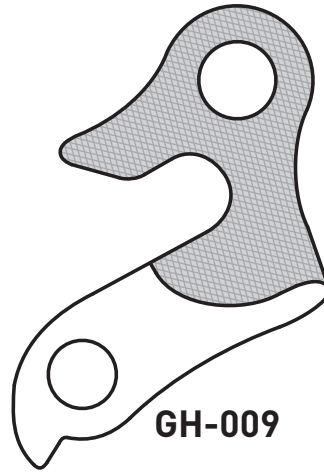
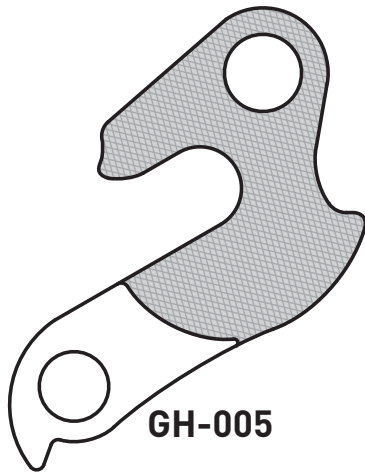
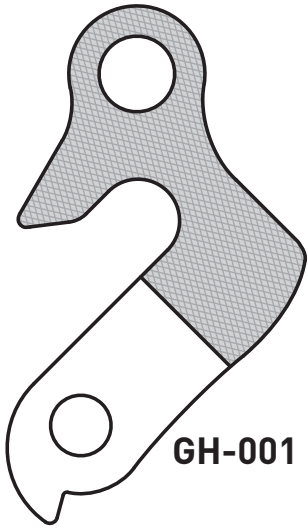


# CUBE (1)

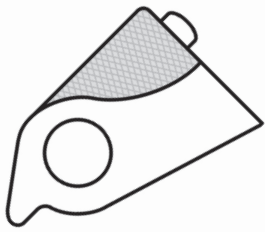


Print at actual size 100% (don't choose fit to page!). All drawings are scale 1:1

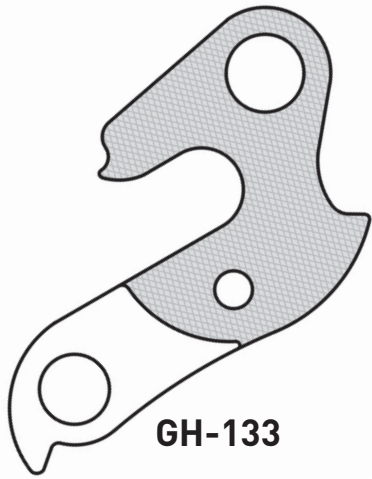
[www.marwi-eu.com/gh](http://www.marwi-eu.com/gh)



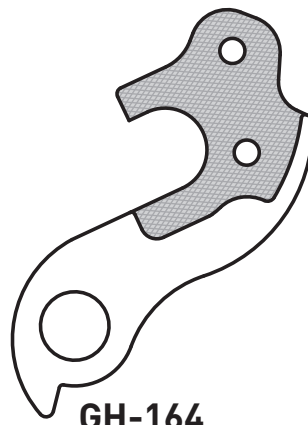
# CUBE (2)



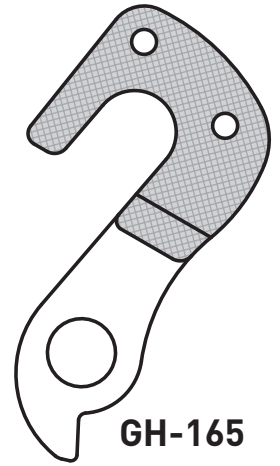
GH-131



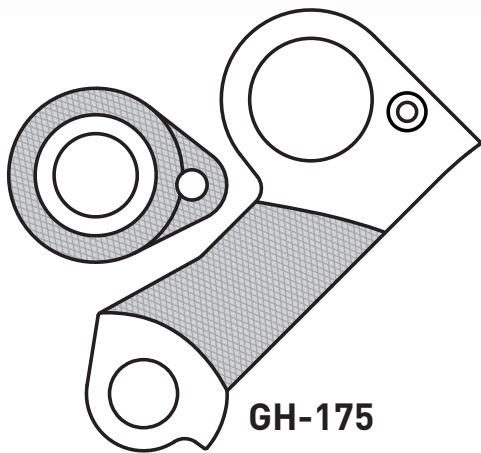
GH-133



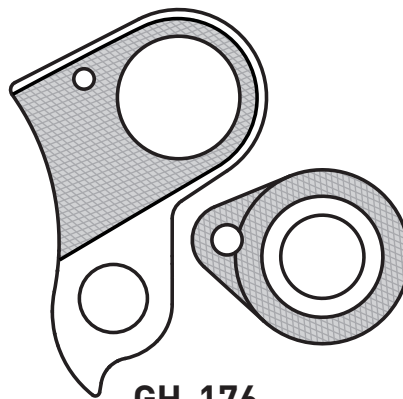
GH-164



GH-165



GH-175



GH-176



GH-177

