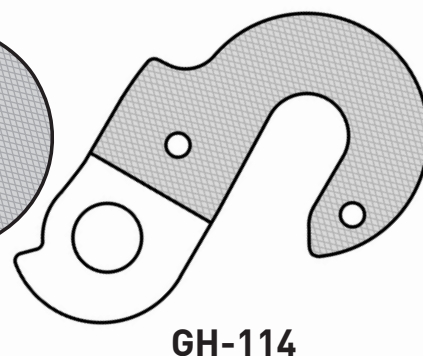
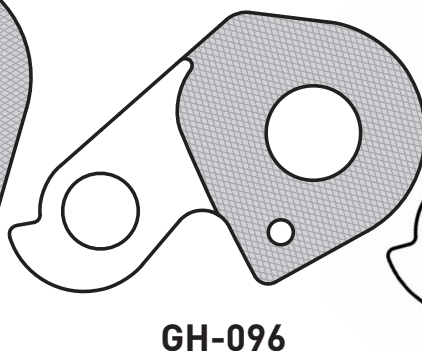
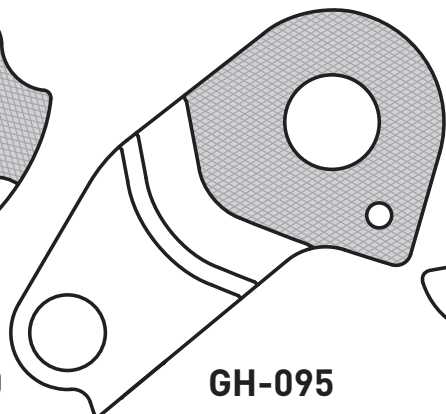
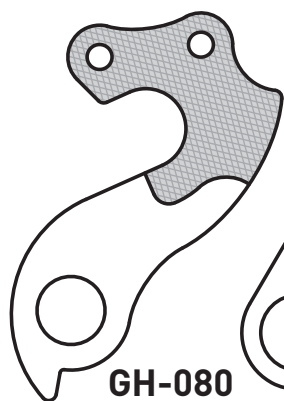
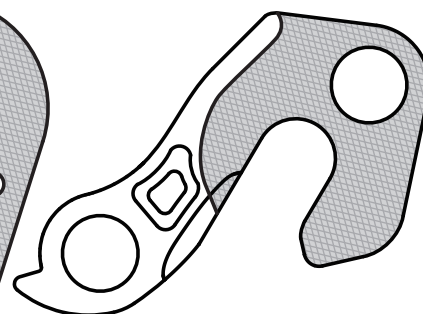
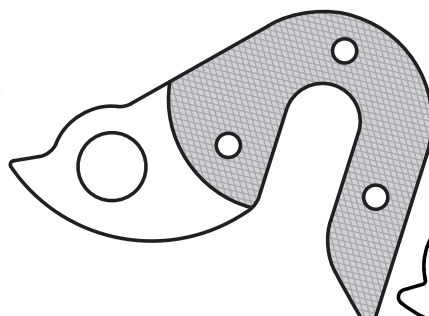
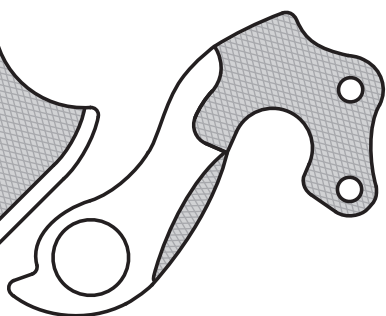
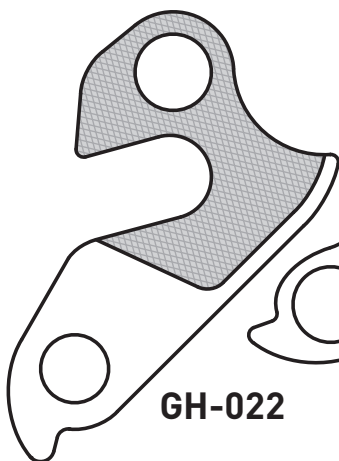
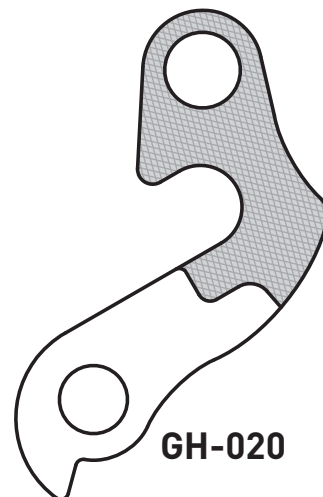
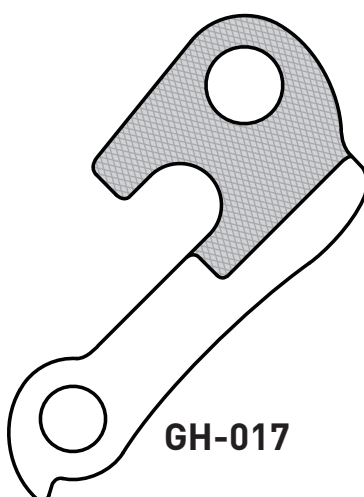
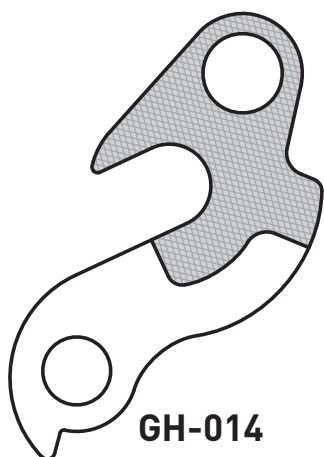
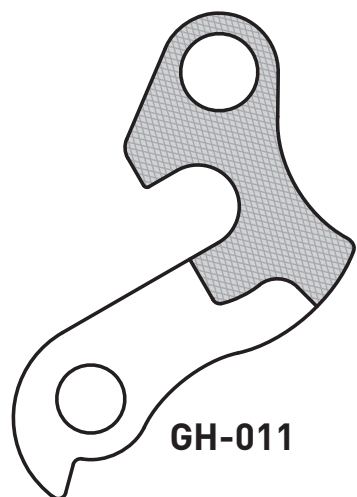
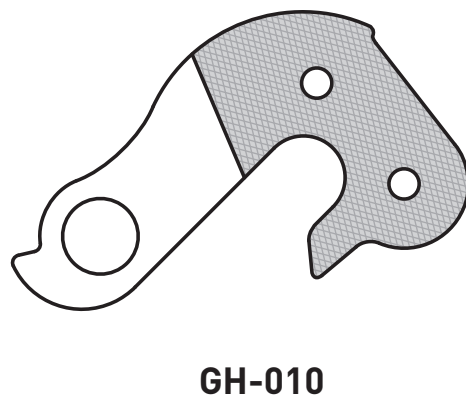
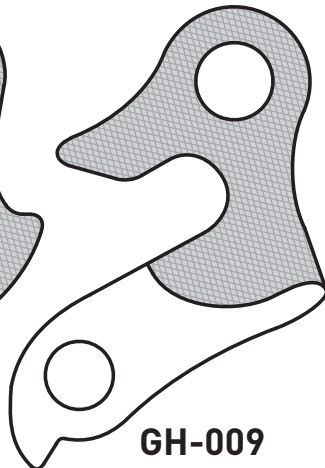
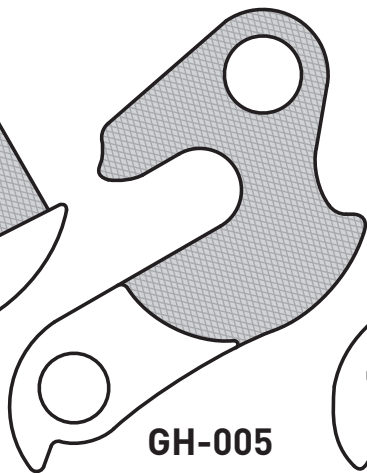
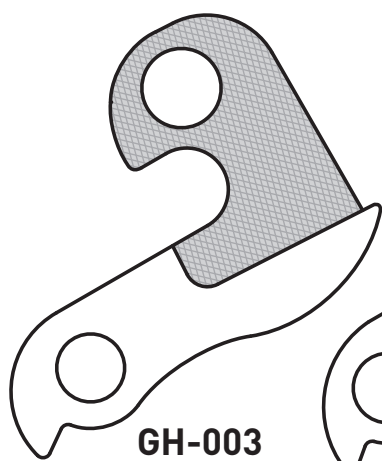
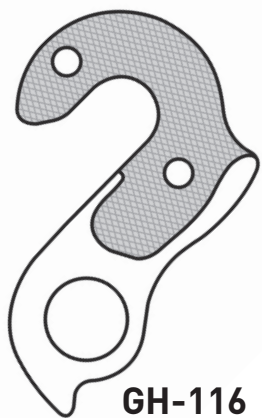


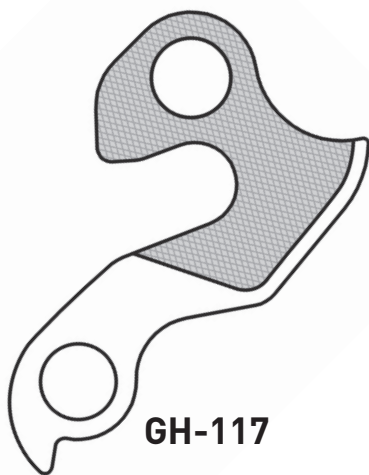
MARIN (1)



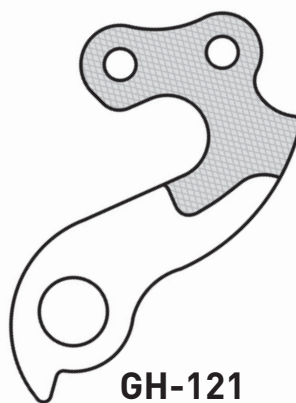
MARIN (2)



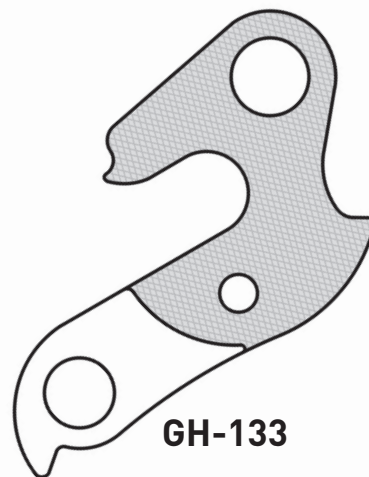
GH-116



GH-117



GH-121



GH-133