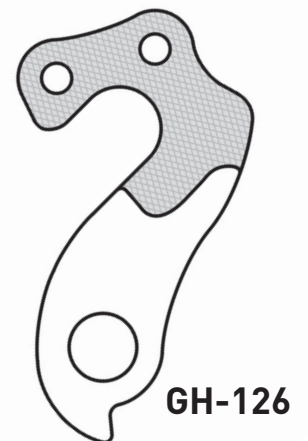
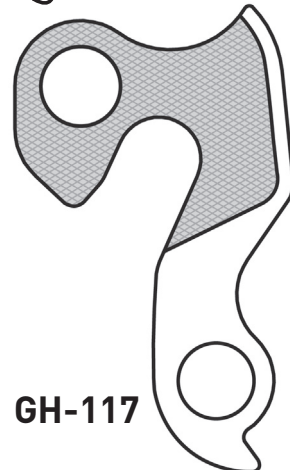
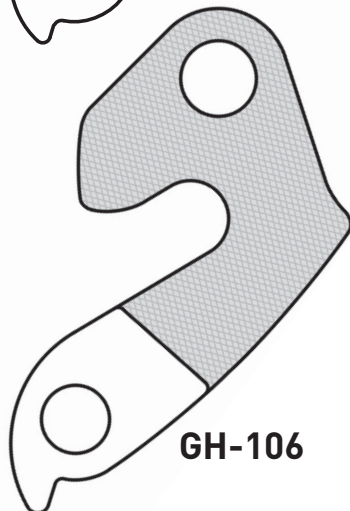
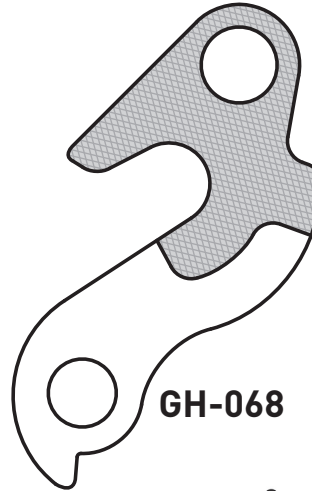
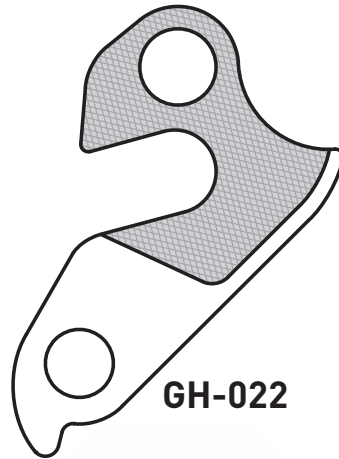
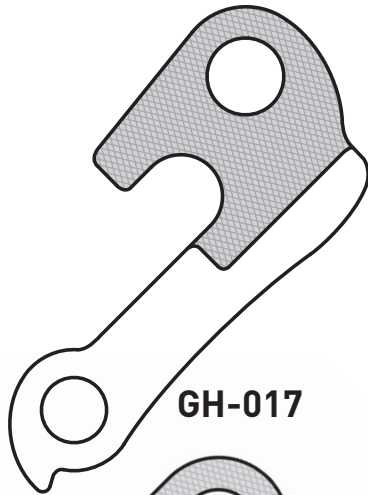
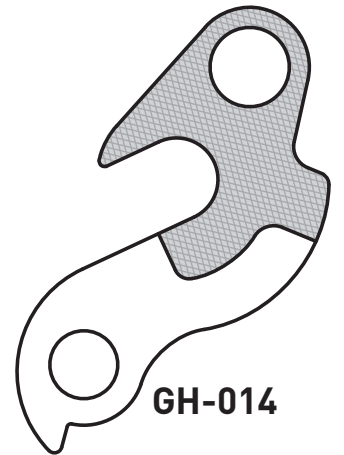
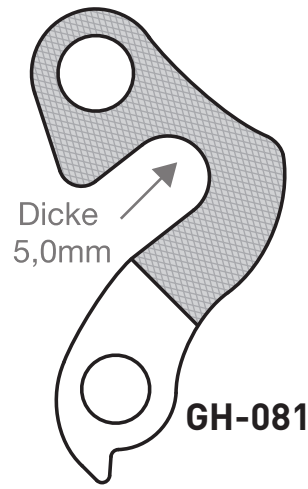
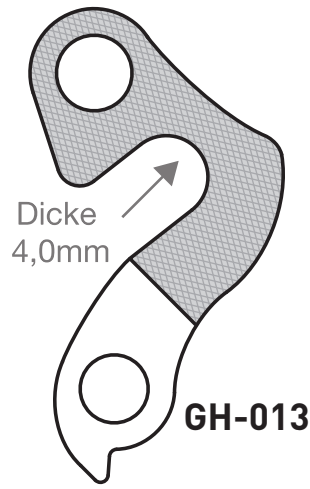
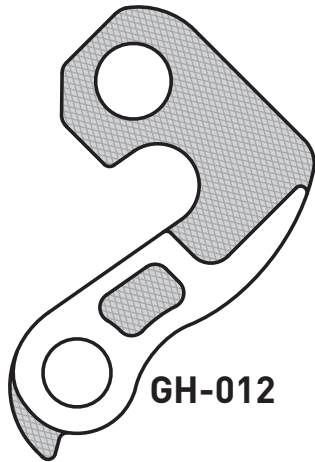
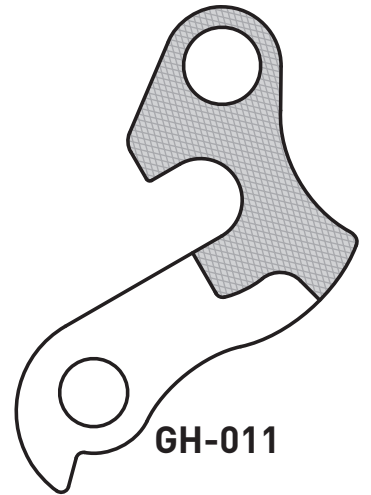
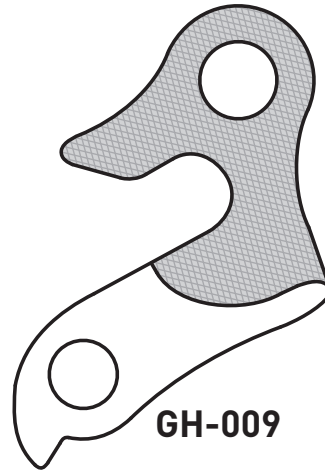
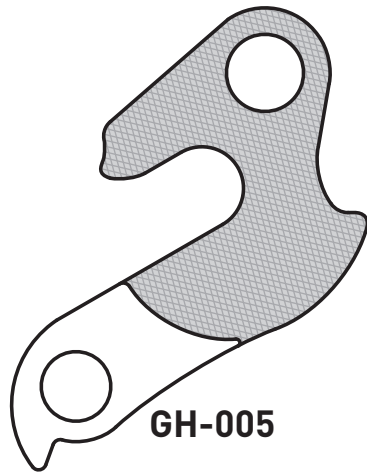
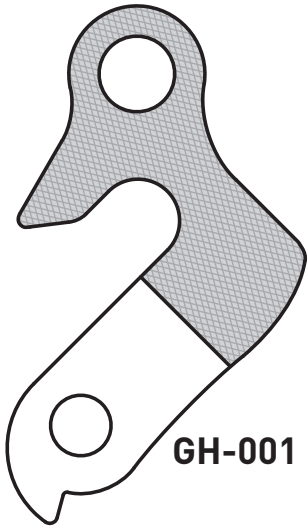
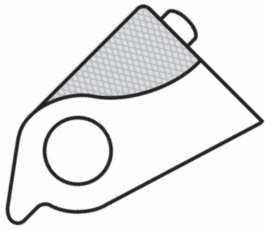


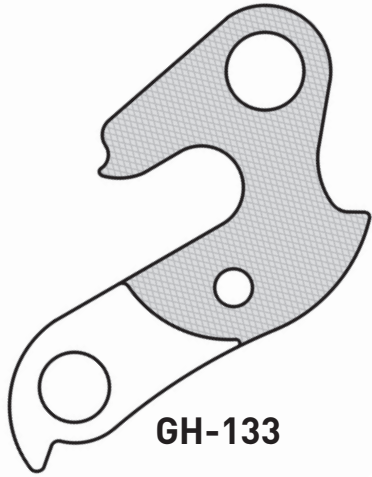
CUBE (1)



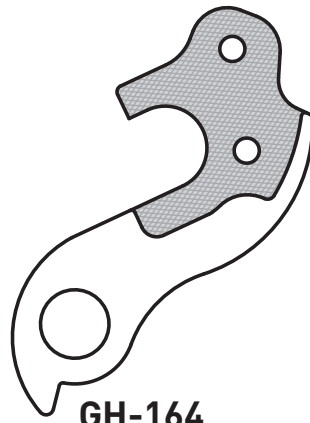
CUBE (2)



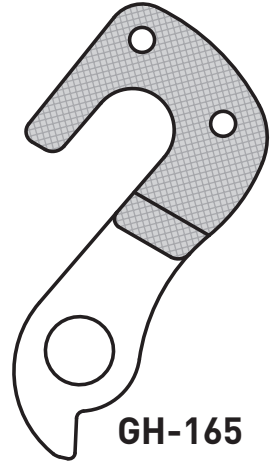
GH-131



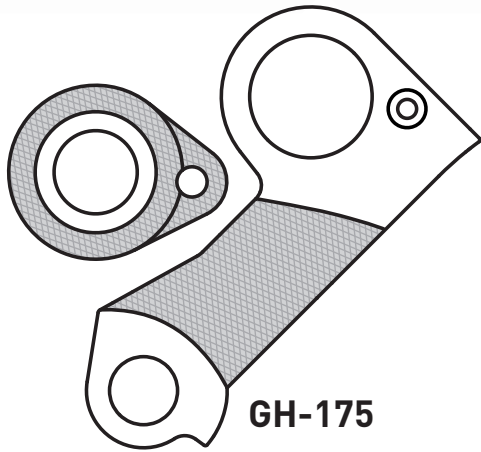
GH-133



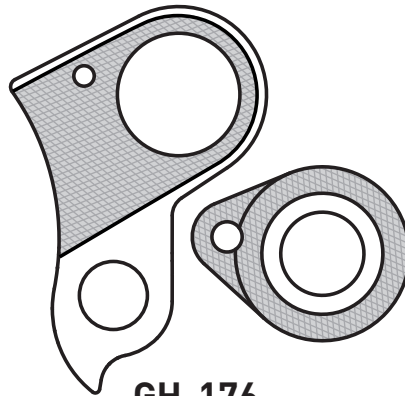
GH-164



GH-165



GH-175



GH-176



GH-177